

# DA-8060

## Multiple Input Video Distribution Amplifier



### FEATURES:

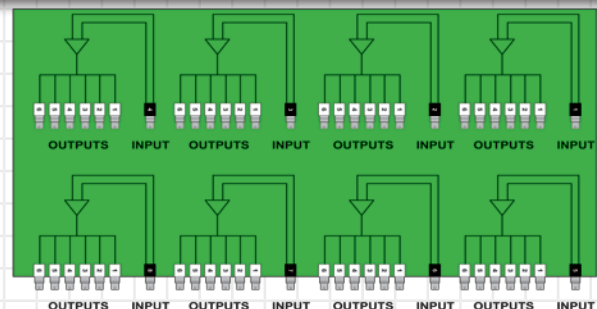
- Eight 1x6 Distribution amps in each unit
- High quality Color video performance
- Industrial grade specifications
- 2 Rack Units With Removable Rack Ears
- UL listed Power Supply
- Made in the USA

The DA-8060 has 8 high performance 1x6 color video distribution amplifiers in single, rack mountable, chassis. Great for adding remote access to existing systems. Instead of installing 8 separate VDA's, use the DA-8060 to save space and money. For less than 1x6 operations, use only the outputs needed and simply leave the leftover ones unterminated. A UL listed power supply is provided with the DA-8060.

## SPECIFICATIONS

<b>Video:</b>		H Tilt:	<1%
Inputs (8):	Composite Video	V Tilt:	<1%
Input Connectors:	BNC	Crosstalk Between	
Input Level:	1.0VPP Into 75 ohms	Channels (All Hostile):	>60dB @ 3.58mHz
Input Impedance:	75ohm +/-5%	<b>Power Requirements:</b>	
Outputs (48):	6 Per Input	AC Operation:	Use CVT-12800 Adapter
Output Connectors:	BNC		Supplied With Unit
Output Impedance:	75ohm +/-5%	AC Power:	120VAC +10% / -15% / 60Hz
Gain In/Out:	Unity +/- 3dB Variable	AC Power Draw:	<8w
Diff Gain:	<1%	Power Connector:	3.5mm Phono Plug
Diff. Phase:	<1°	<b>Mechanical:</b>	
Frequency Response:	0-15mHz +/- .5dB	Size:	19.0"W x 6.8"D x 3.50"H
Power / Supply Hum:	<63dB	Weight:	2.5lbs
		Operating Temp Range:	0-40°C With Provided Power Supply
			-35-80°C Without Provided Power
			Supply

**All Specifications Subject To Change Without Prior Notification**



**Phone: (845) 737-7009 • Fax: (845) 737-0426 • [www.compuvideosystems.com](http://www.compuvideosystems.com)**