

# CLA-2100

## CAT-5 / UTP Cable Compensating Amplifier



### FEATURES:

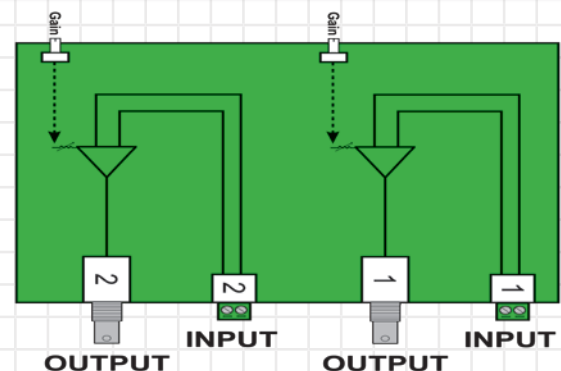
- (2) 1x1 line amp w/variable gain
- High quality Color video performance
- Built in mounting brackets
- Compact size
- Made in the USA
- 5 Year Warranty

The **CLA-2100** is a high performance two 1x1 Color Video Line Amplifier with a variable level adjust in a compact chassis. It uses 2 terminal strip connectors for the input connections, and 2 BNC connectors for the output connections.

## SPECIFICATIONS

Video:		Power / Supply Hum:	<63dB
Inputs:	Composite Video	H Tilt:	<1%
Input Connectors:	2 pos. Terminal Strip	V Tilt:	<1%
Input Level:	1vpp Into 75 Ohms	Power Requirements:	
Input Impedance:	75 ohm +/-5%	DC Operation:	12 to 18VDC 60Hz Source
Output:	1x Per Input	AC Power:	16VAC To 20VAC 60Hz
Output Connector:	BNC	AC Power Draw:	<1w
Output Impedance:	75 ohm +/-5%	Power Connector:	Terminal Block
Diff Gain:	<1%	Mechanical:	
Diff Phase:	<1°	Size:	5.6"W, 5.25"D, 1.5"H
Frequency Response:	0-15mHz +/- .5dB	Weight:	1.0lbs

**All Specifications Subject To Change Without Prior Notification**



**Phone: (845) 737-7009 • Fax: (845) 737-0426 • [www.compuvideosystems.com](http://www.compuvideosystems.com)**