

CDA-220-RJ45

CAT-5 / UTP Multiple Input Video Distribution Amplifier



FEATURES:

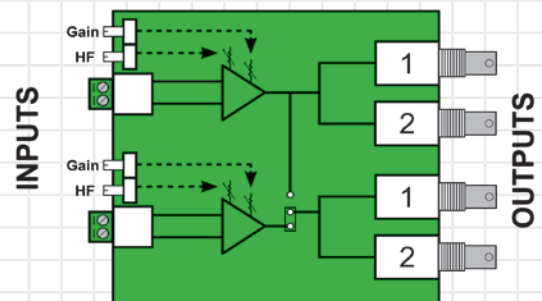
- (2) 1x2 Distribution Amp.
- High quality Color video performance
 - Differential inputs
- Industrial grade specifications
 - Variable gain control
 - HF Compensation
- CAT-5 / UTP Inputs
- Made in the USA

The **CDA-220-RJ45** is a Dual 1x2 UTP active hub and a 1x2 Color Video Distribution Amplifier in one. It uses RJ-45 connectors for the input connections, and 4 BNC connectors for the output connections. The **CDA-220-RJ45** has Gain and HF adjust to compensate for signal loss for each channel. The differential input amplifier is used to minimize or eliminate ground loop problems. Will compensate for approx. 1200 feet of UTP using a balun transmitter.

SPECIFICATIONS

Video:		H Tilt:	<1%
Inputs:	Composite Video	V Tilt:	<1%
Input Connectors:	RJ-45 connectors	CCMR:	Type. 60dB @ 4Mhz
Input Level:	1vpp Into 75 Ohms	High Freq. Boost:	Type 0+/- 10dB
Input Impedance:	75 ohm +/-5%	Power Requirements:	
Output (4):	2x Per Input	DC Operation:	12 to 18VDC Isolated Source
Output Connector:	BNC	DC Power Draw:	Based On Card Installed In Unit
Output Impedance:	75 ohm +/-5%	Power Connector:	3.5mm Phono
Gain In/Out:	+/-3dB	Mechanical:	
Diff Gain:	<1%	Size:	5.50"W, 6.25"D, 1.6"H
Diff Phase:	<1°	Weight:	1.0lbs
Frequency Response:	0-15mHz +/- .5dB		
Power / Supply Hum:	<63dB		

All Specifications Subject To Change Without Prior Notification



Phone: (845) 737-7009 • Fax: (845) 737-0426 • www.compuvideosystems.com