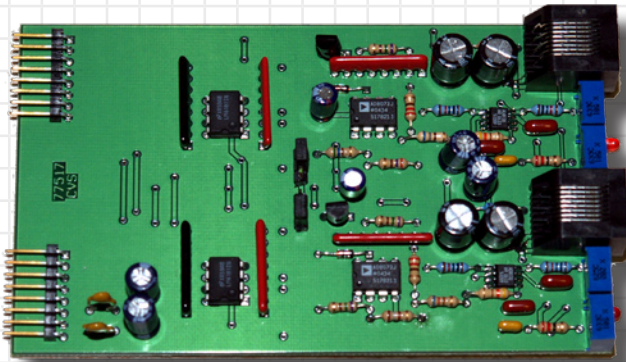


CDA-202-RJ45 CAT-5 / UTP Multiple Input Video Distribution Amplifier Board



FEATURES:

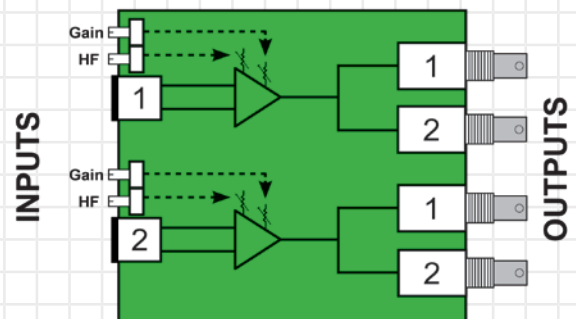
- Dual 1x2 UTP distribution amp.
- 2 coax outputs per input
- RJ-45 input connections
- High quality color video performance
- Ground loop blocking inputs
- Plugs into CH-1 or CH-32 chassis
- Variable gain control
- 5 year warranty

The **DABS-2032** is a Dual 1x2 UTP active receiver and 1x2 color video distribution amplifier board that plugs into the CH-32 system. The **DABS-2032** has gain and HF adjust to compensate for signal loss for each channel. The differential input amplifier is used to minimize or eliminate ground loop problems. Will compensate for approx. 1500 feet of UTP using a balun transmitter.

SPECIFICATIONS

Video:		Gain In/Out:	Unity +/- 10%
Inputs:	Composite Video	Diff Gain:	<1%
Input Connectors:	RJ-45	Diff Phase:	<1°
Input Level:	100 ohms	Frequency Response:	0-15MHz +/- .5dB
Input Impedance:	75 ohm +/-5%	Power / Supply Hum:	<63dB
Output:	2x Per Input	H Tilt:	<1%
Output Connector:	BNC	V Tilt:	<1%
Output Impedance:	75 ohm +/-5%	CCMR:	Typ. 60dB @ 4Mhz
		High Freq. Boost:	Typ. 0 - +10dB

All Specifications Subject To Change Without Prior Notification



Phone: (845) 737-7009 • Fax: (845) 737-0426 • www.compuvideosystems.com