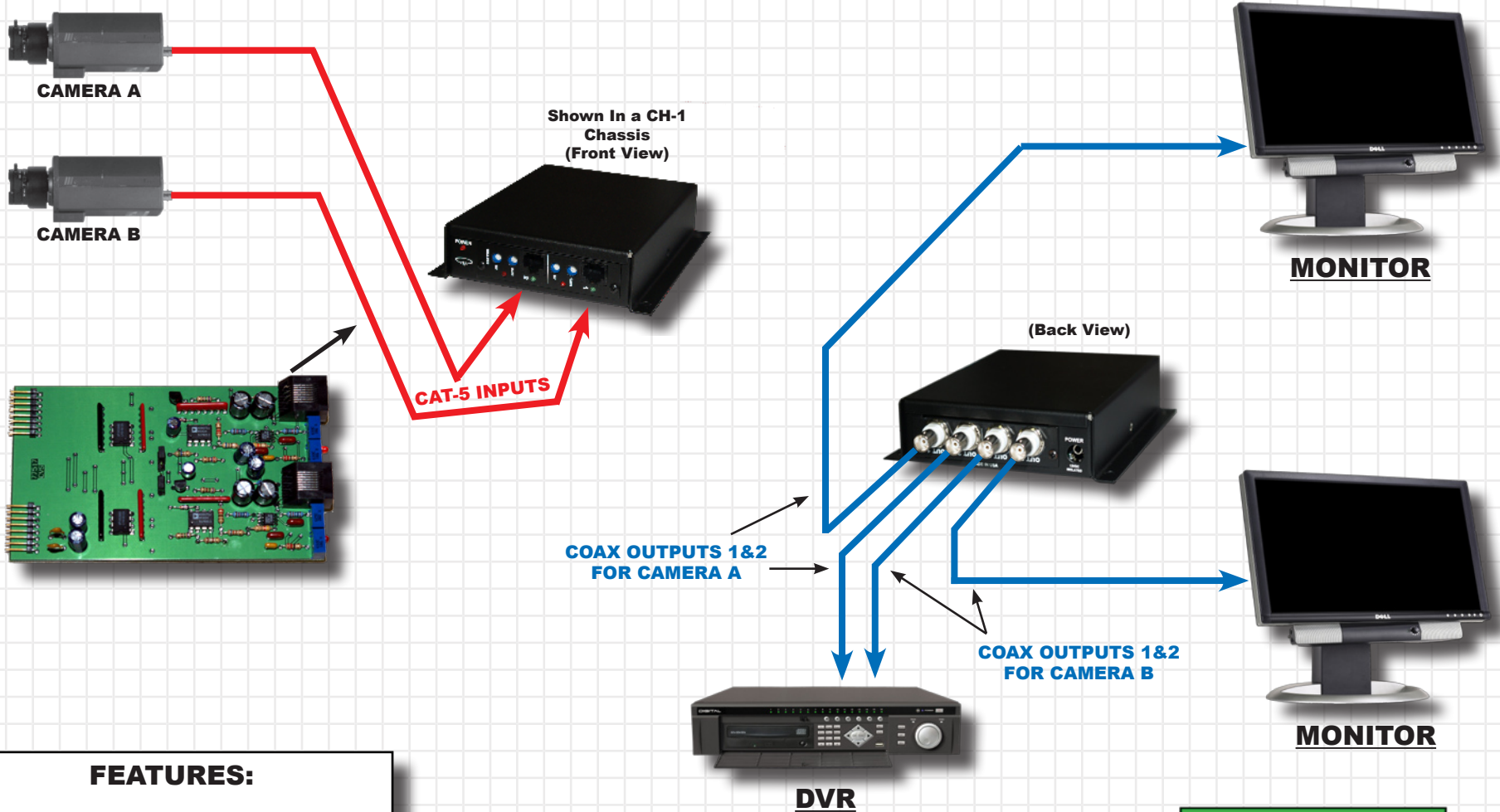


CDA-202-RJ45

CAT-5 / UTP Multiple Input Video Distribution Amplifier Board



FEATURES:

- Dual 1x2 UTP distribution amp.
 - 2 coax outputs per input
 - RJ-45 input connections
- High quality color video performance
 - Ground loop blocking inputs
- Plugs into CH-1 or CH-32 chassis
 - Variable gain control
 - 5 year warranty

